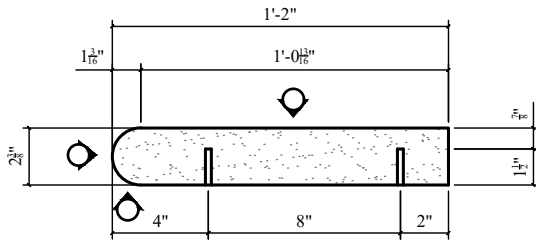


POOL COPING

AVAILABLE COLORS:

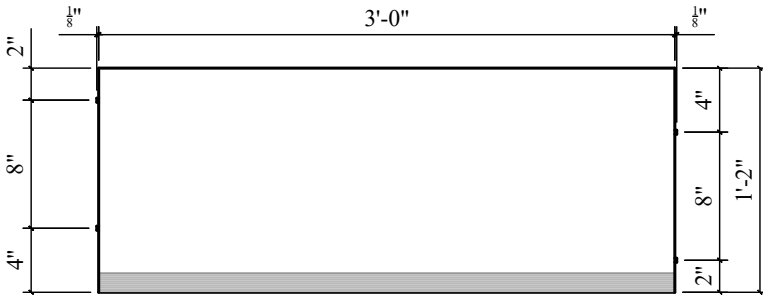
LIGHTER GRAY (NATURAL-4)
 DARKER GRAY (GFW - 6)
 WHITE (WW)
 LIGHT BUFF LIMESTONE (LIME - 2)

6,000 PSI W/ INTEGRAL
 WATER REPELLANT
 WGT: 100# / STONE



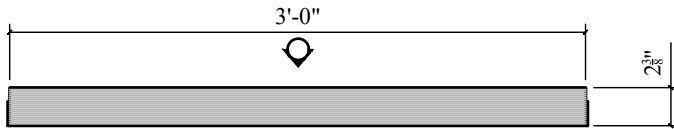
COPING SECTION

SCALE : 1 1/2" = 1'-0"



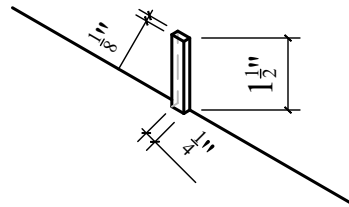
TOP VIEW

SCALE : 1 1/2" = 1'-0"

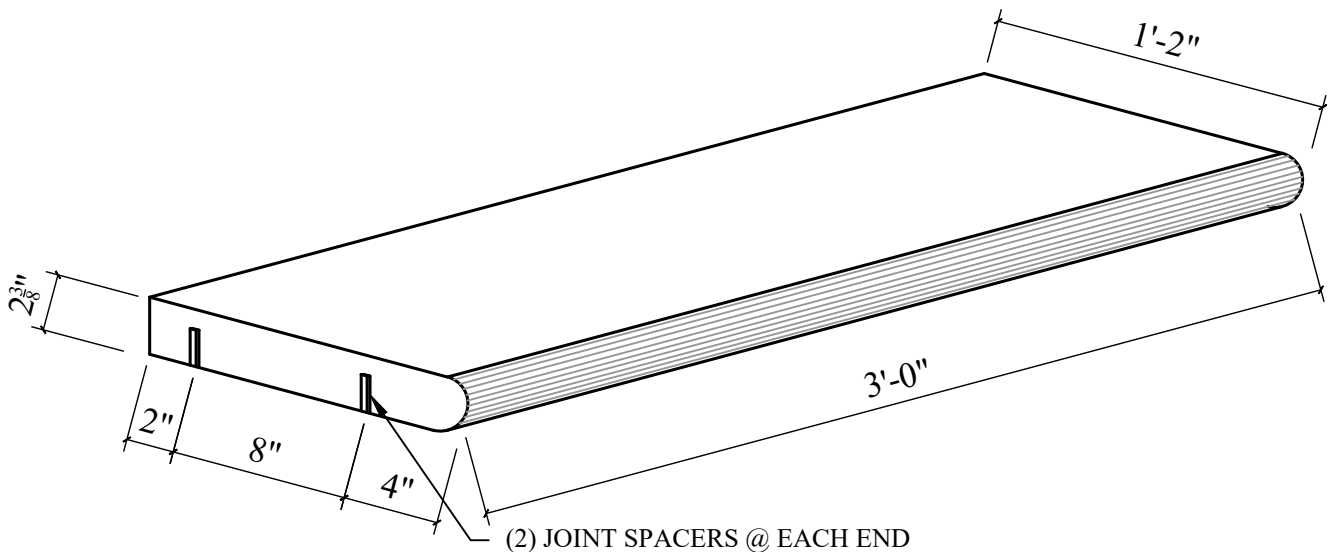


FRONT VIEW

SCALE : 1 1/2" = 1'-0"



JOINT SPACER



NORTHERN DESIGN
 51 INTERNATIONAL DR.
 LOUDON, NH 03307
 603-783-8989

CONTACT:
 PETE DOHERTY
 PETE@NDPRECAST.COM

PALLETS OF (21)
 \$1,638.00
 F.O.B.LOUDON, NH

DELIVERY
 AVAILABLE
 ON REQUEST
 (UNLOADING B.O.)